



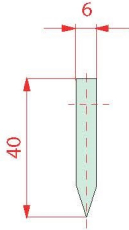
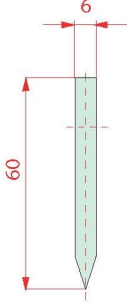
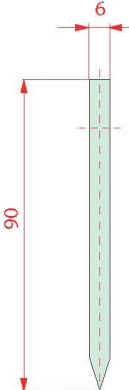
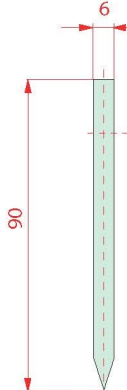
# TOP LAN TIS

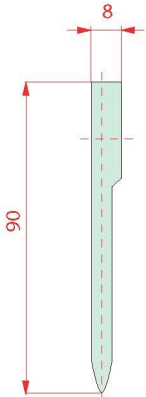
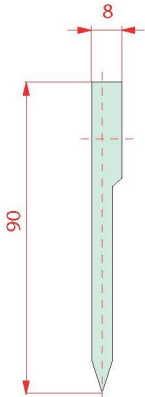
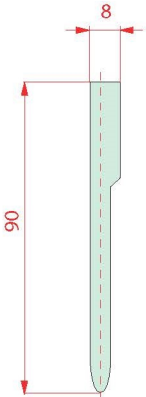
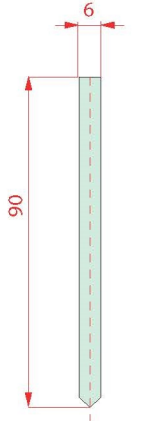
spol. s r.o.

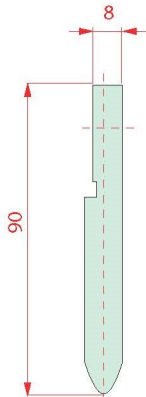
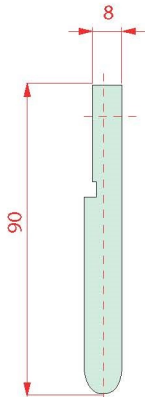
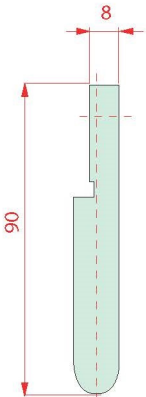
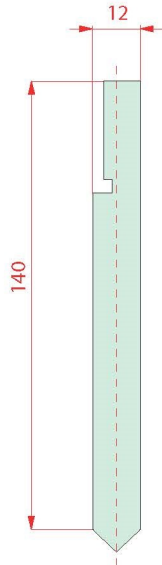


# MH SERIES

■ Steel C45    □ Steel 42CrMo4

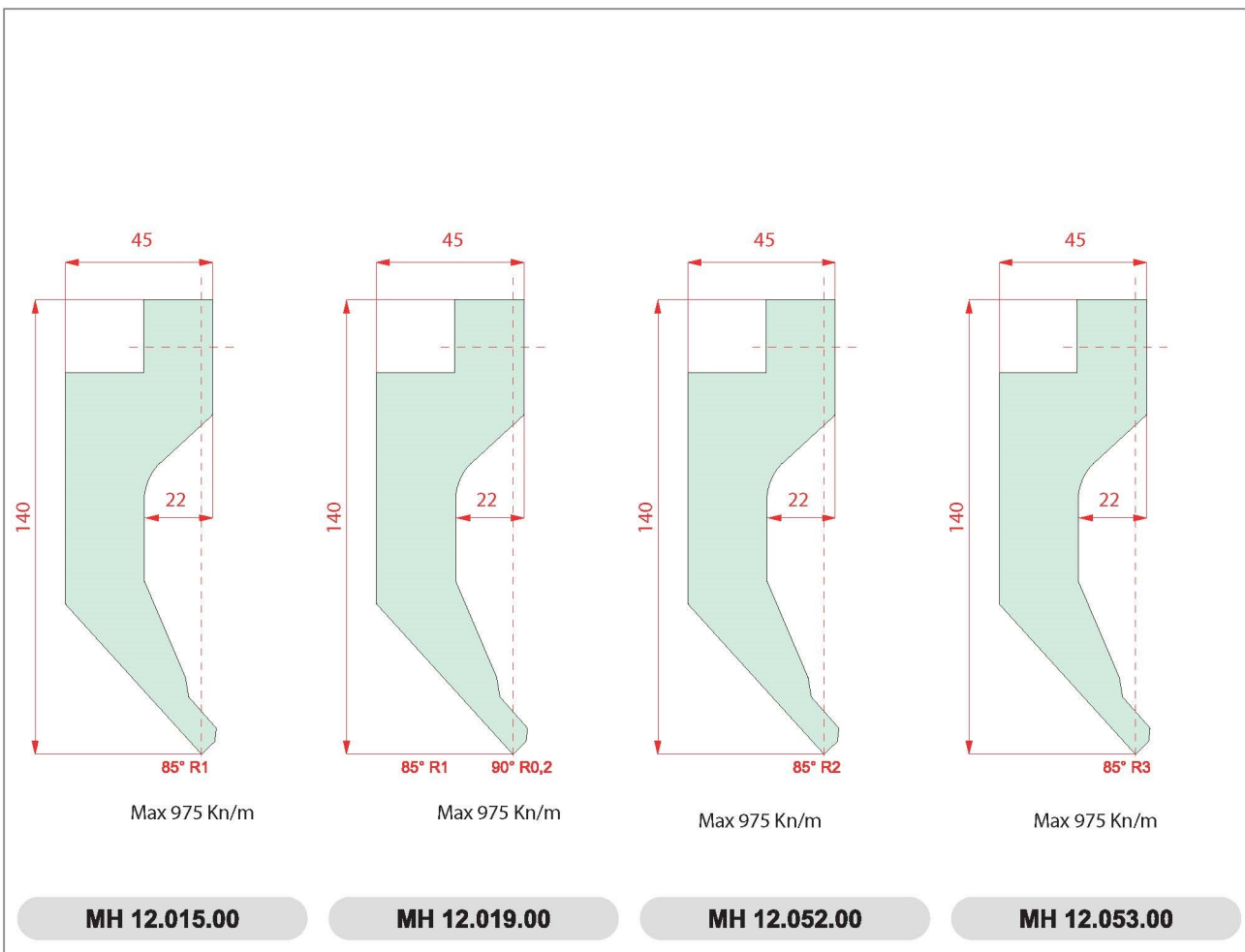
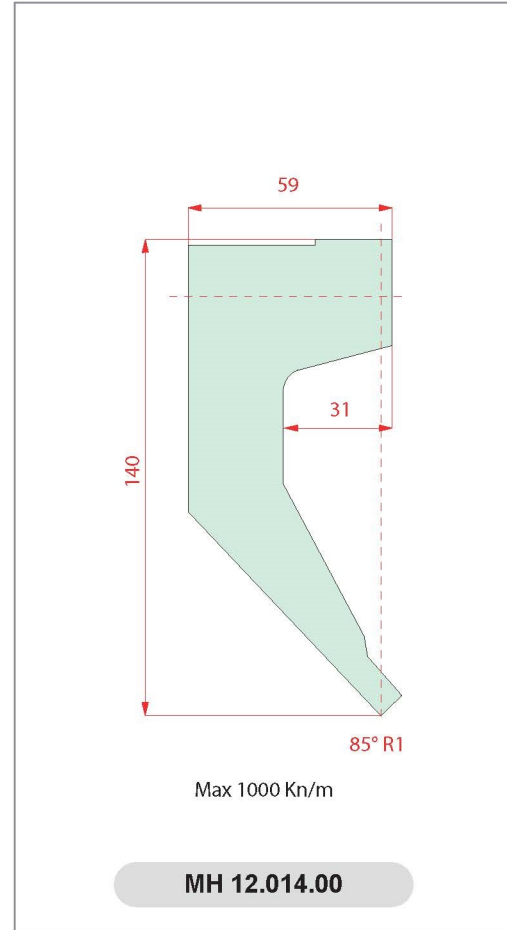
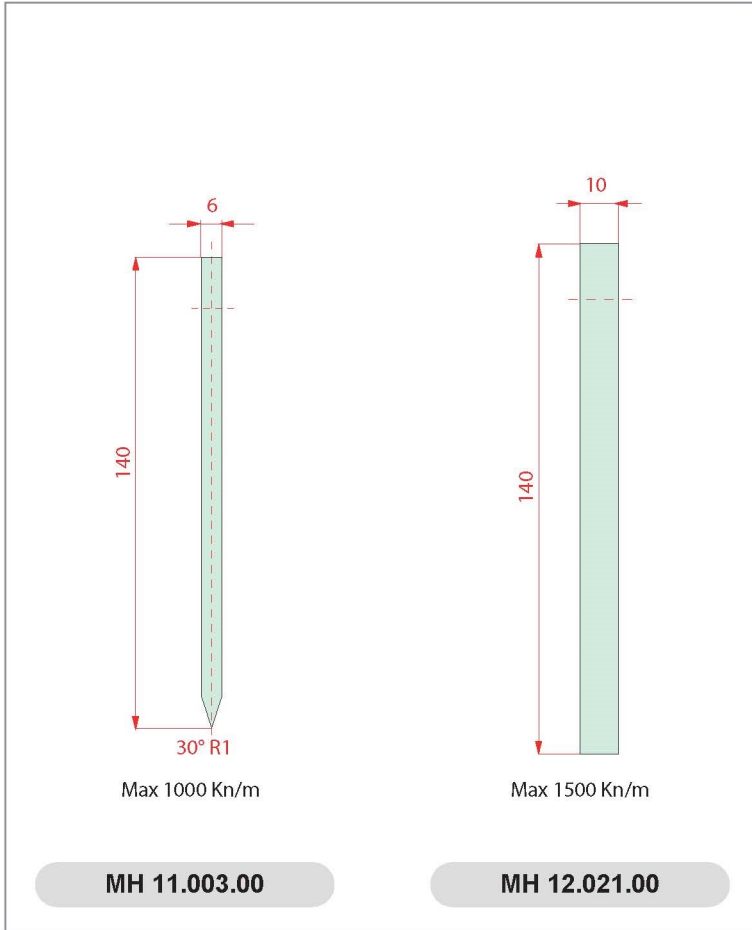
 <p>30° R1 Max 600 Kn/m</p>	 <p>30° R1 Max 1000 Kn/m</p>	 <p>28° R1 Max 1000 Kn/m</p>	 <p>30° R1 Max 1000 Kn/m</p>
<b>MH 11.010.00</b>	<b>MH 11.007.00</b>	<b>MH 11.281.00</b>	<b>MH 11.001.00</b>

 <p>30° R2 Max 1000 Kn/m</p>	 <p>30° R1 Max 1000 Kn/m</p>	 <p>30° R3 Max 1000 Kn/m</p>	 <p>90° P0.2 Max 1000 Kn/m</p>
<b>MH 11.006.00</b>	<b>MH 11.008.00</b>	<b>MH 11.033.00</b>	<b>MH 11.005.00</b>

 <p>30° R4 Max 1000 Kn/m</p>	 <p>R5 Max 1000 Kn/m</p>	 <p>R6 Max 1000 Kn/m</p>	 <p>90° P0.2 Max 1000 Kn/m</p>
<b>MH 11.034.00</b>	<b>MH 11.035.00</b>	<b>MH 11.036.00</b>	<b>MH 11.009.10</b>

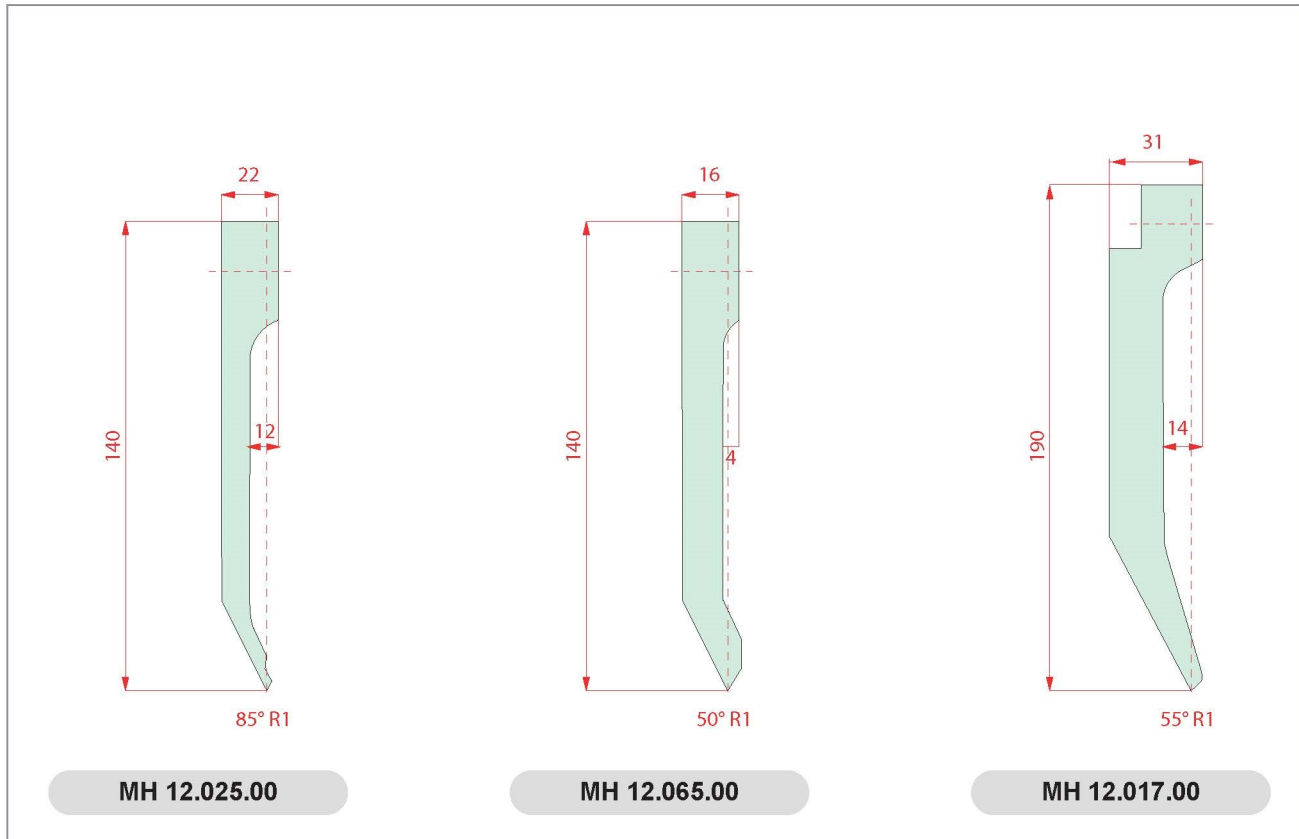
# MH SERIES

■ Steel C45    □ Steel 42CrMo4



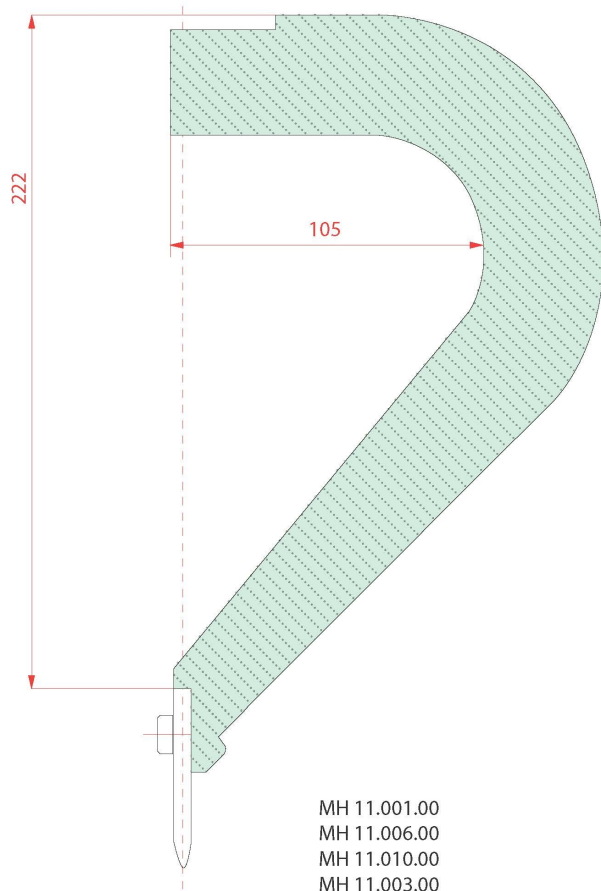
# MH SERIES

■ Steel C45    □ Steel 42CrMo4



# MH SERIES

Forged
  Steel C45
  Steel 42CrMo4



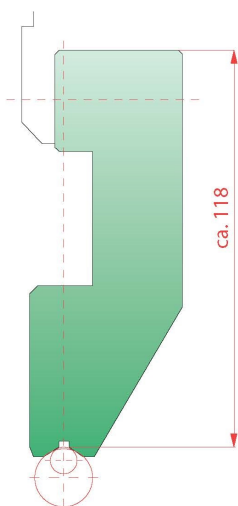
- .01.01 L = 100
- .02.01 L = 50
- .02.02 L = 55
- .02.03 L = 60
- .02.04 L = 65
- .02.05 L = 70
- .02.06 L = 75
- .02.07 L = 80
- .02.08 L = 85
- .02.09 L = 90
- .02.10 L = 95



MH 11.001.00  
 MH 11.006.00  
 MH 11.010.00  
 MH 11.003.00

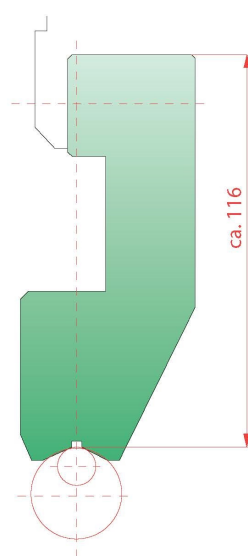
Max 600 kn/m

**MH 22.006.00**



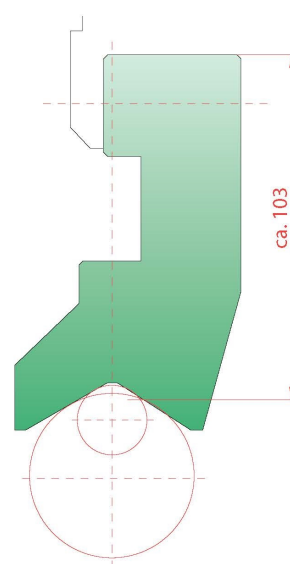
Ø 12 - 25  
 Max 150 t

**MH 22.013.00**



Ø 16 - 40  
 Max 150 t

**MH 22.014.00**

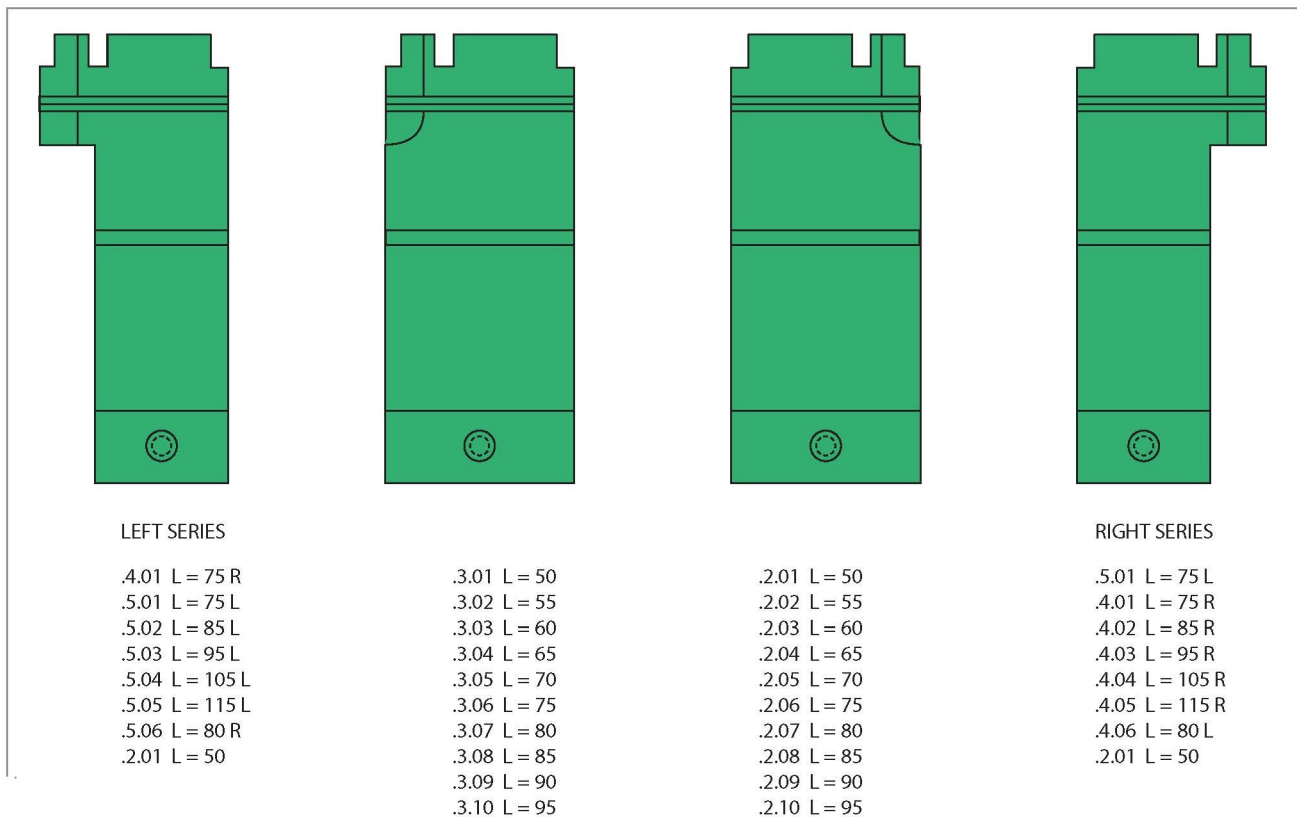
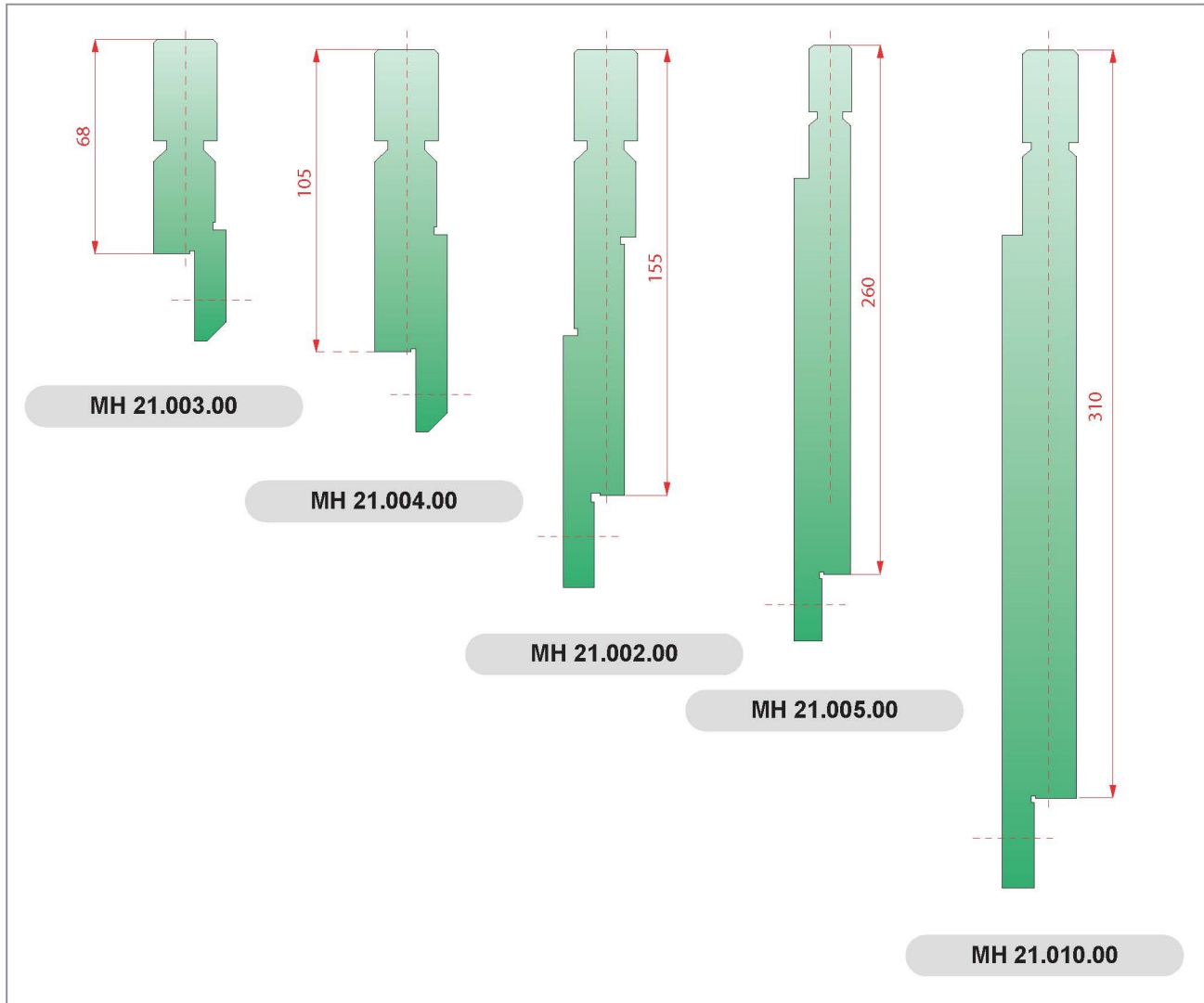


Ø 36 - 90  
 Max 150 t

**MH 22.015.00**

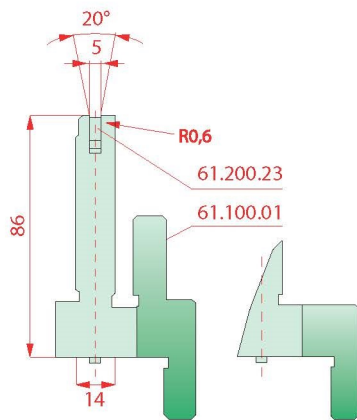
# MH SERIES

■ Steel C45    □ Steel 42CrMo4



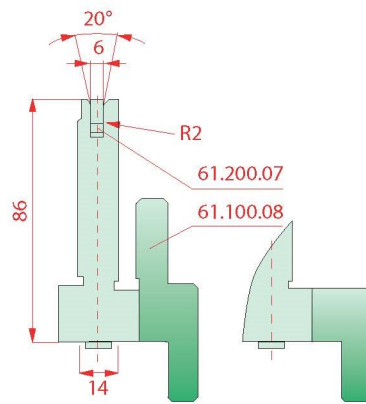
# MH SERIES

■ Steel C45    □ Steel 42CrMo4



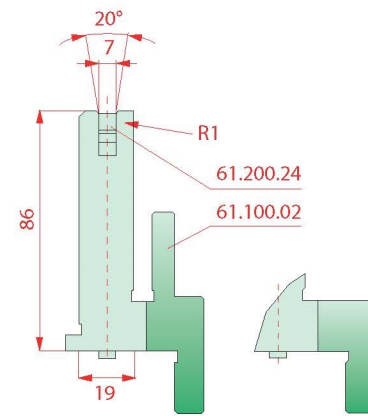
Max 350 Kn/m

**MH 31.005.00**



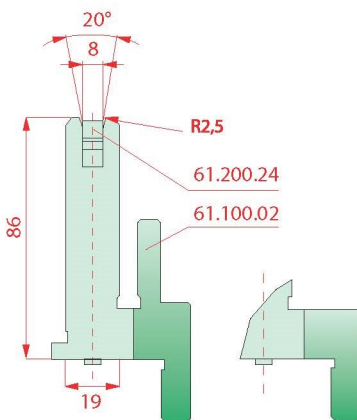
Max 350 Kn/m

**MH 31.006.00**



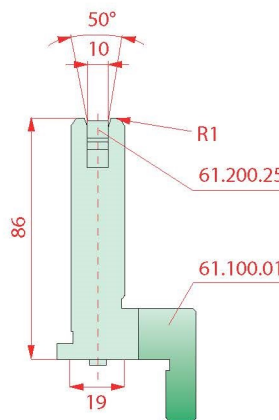
Max 500 Kn/m

**MH 31.007.00**



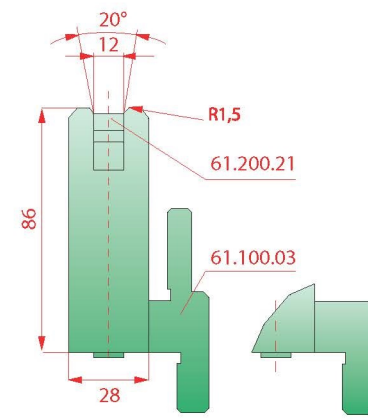
Max 500 Kn/m

**MH 31.007.20**



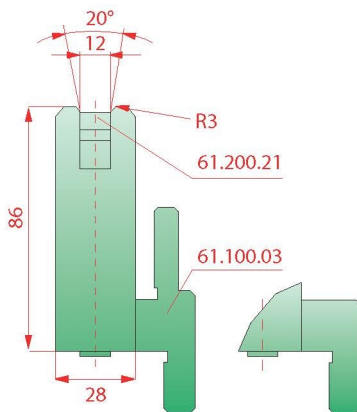
Max 500 Kn/m

**MH 31.010.20**



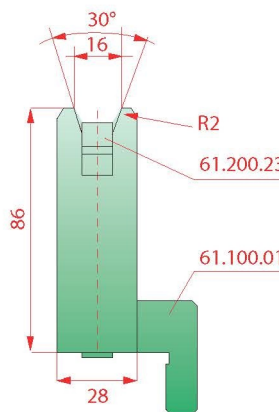
Max 500 Kn/m

**MH 31.012.00**



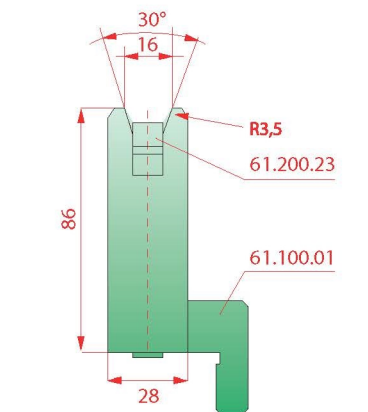
Max 500 Kn/m

**MH 31.013.00**



Max 500 Kn/m

**MH 31.016.00**

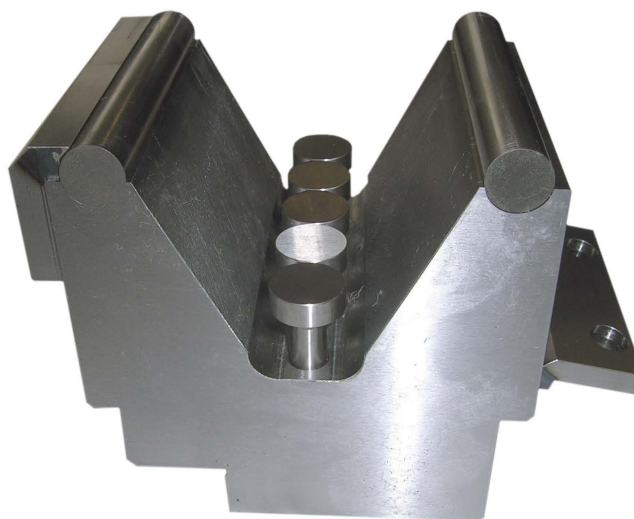
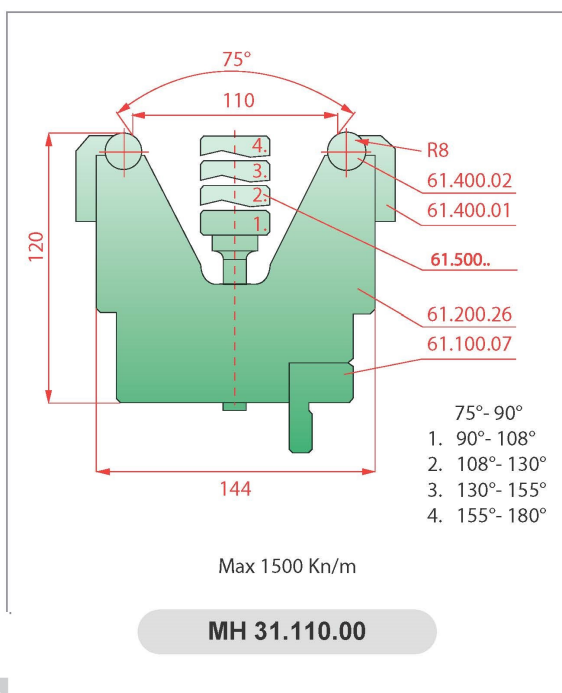
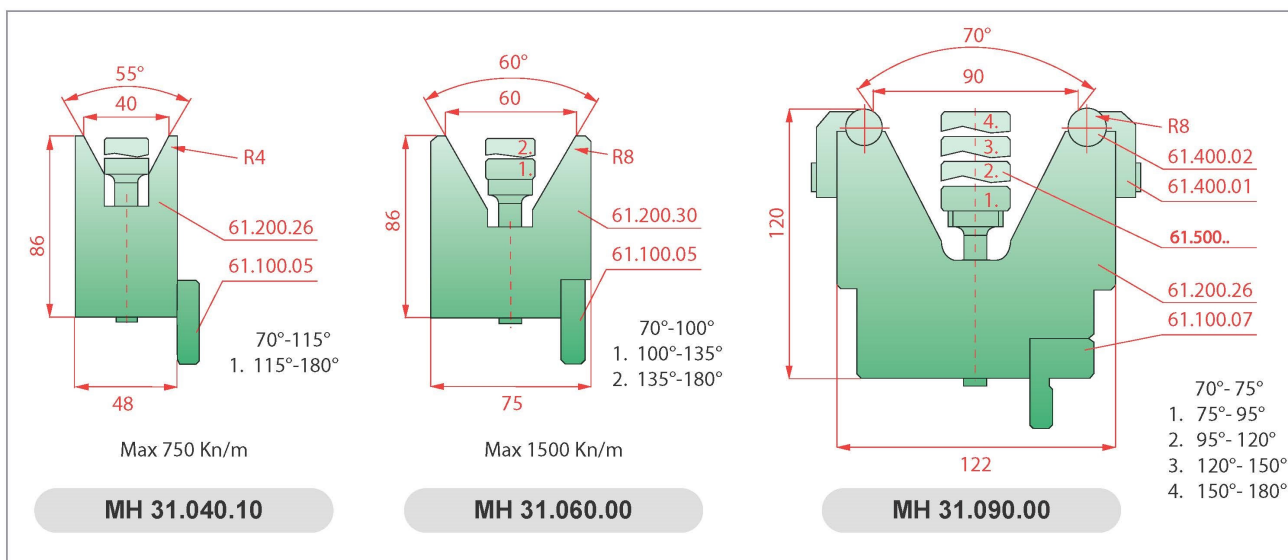
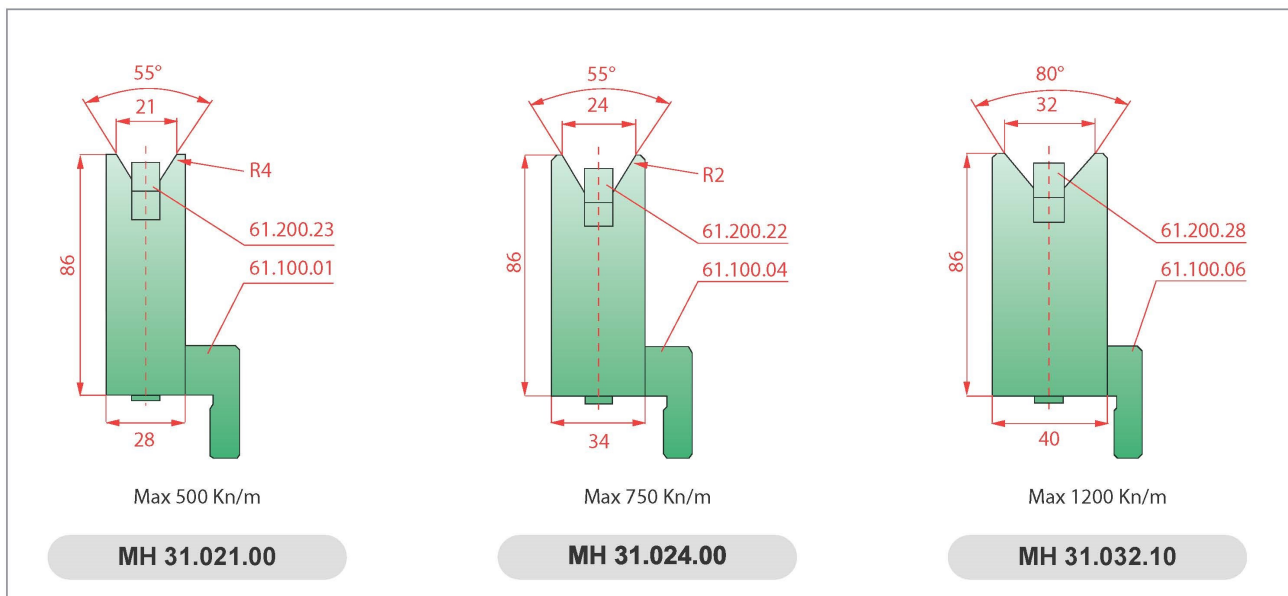


Max 500 Kn/m

**MH 31.016.10**

# MH SERIES

■ Steel C45    □ Steel 42CrMo4





# MH SERIES

■ Steel C45    □ Steel 42CrMo4

